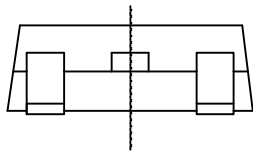
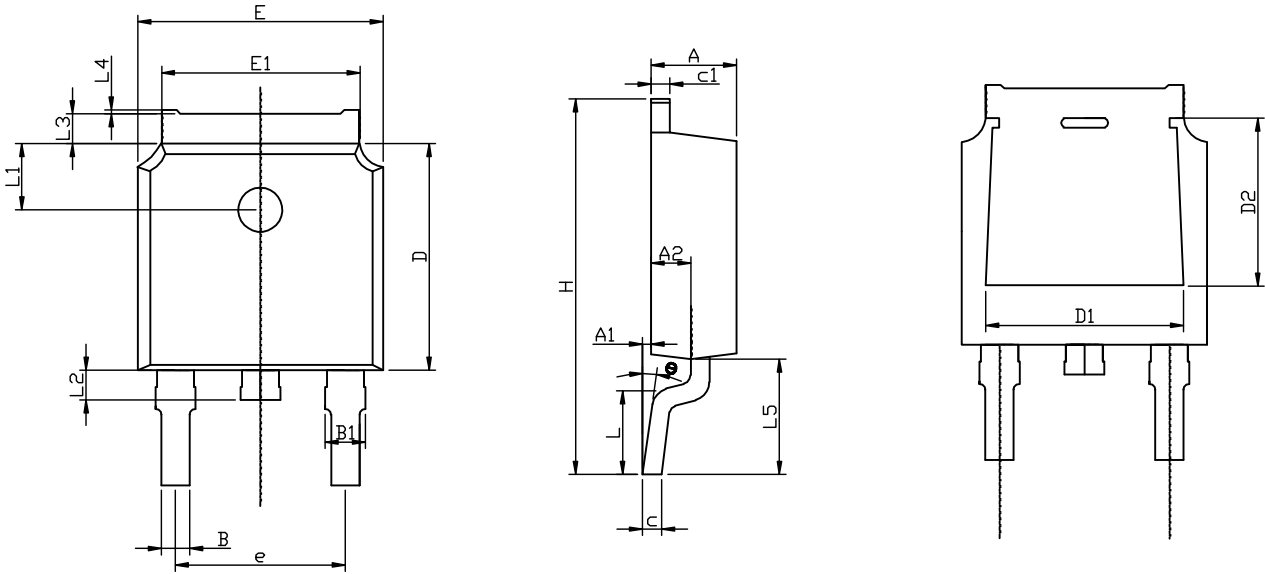
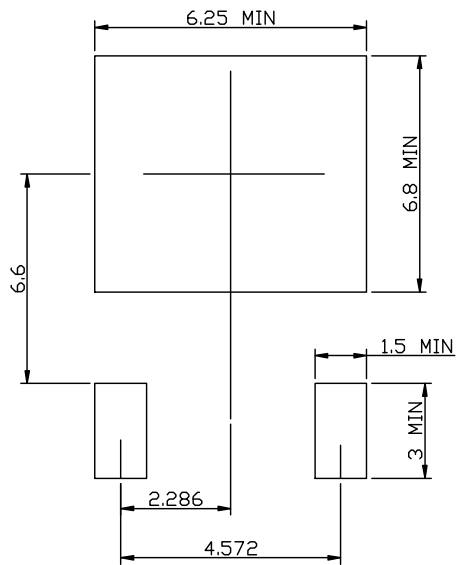


TO-252-2L PACKAGE OUTLINE



RECOMMENDED LAND PATTERN



| | MIN | NOM | MAX |
|----|------|----------|-------|
| A | 2.15 | 2.30 | 2.45 |
| A1 | 0.05 | 0.10 | 0.20 |
| A2 | 0.91 | 1.07 | 1.22 |
| B | 0.66 | 0.76 | 0.86 |
| B1 | 0.93 | 1.08 | 1.23 |
| C | 0.40 | 0.50 | 0.60 |
| C1 | 0.40 | 0.50 | 0.60 |
| D | 5.95 | 6.10 | 6.25 |
| D1 | - | 4.8REF | - |
| D2 | - | 3.8REF | - |
| E | 6.45 | 6.60 | 6.75 |
| E1 | 5.12 | 5.32 | 5.52 |
| L | | 1.65 | |
| L1 | 1.58 | 1.78 | 1.98 |
| L2 | 0.60 | 0.80 | 1.00 |
| L3 | 0.70 | 0.85 | 1.00 |
| L4 | 0.00 | 0.05 | 0.20 |
| L5 | 2.80 | 3.10 | 3.40 |
| H | 9.80 | 10.10 | 10.40 |
| Θ | 0° | | 8° |
| e | | 4.572REF | |

UNIT: mm